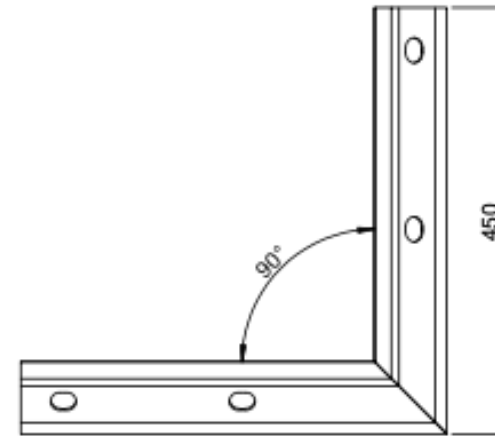
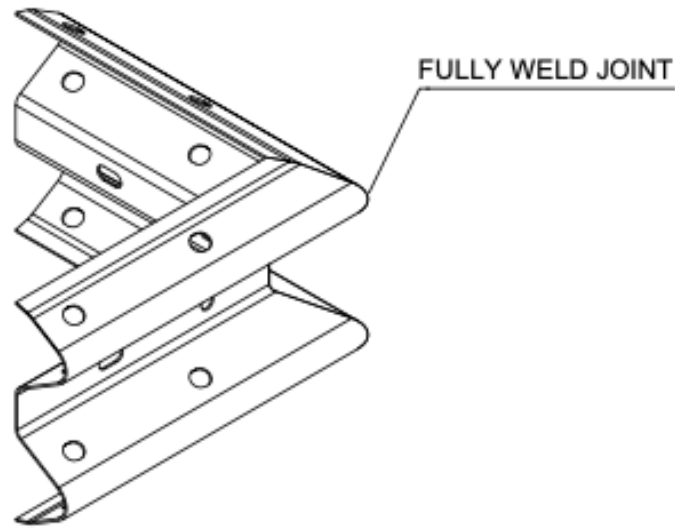
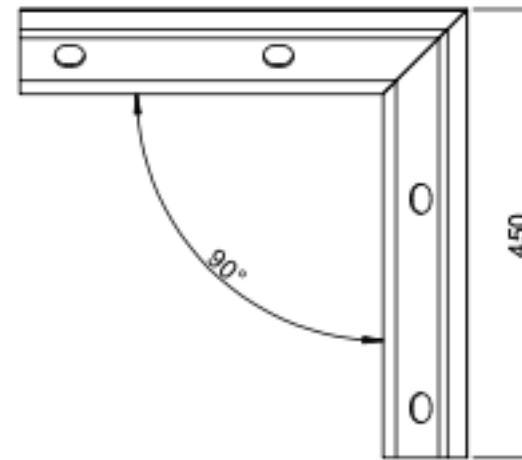
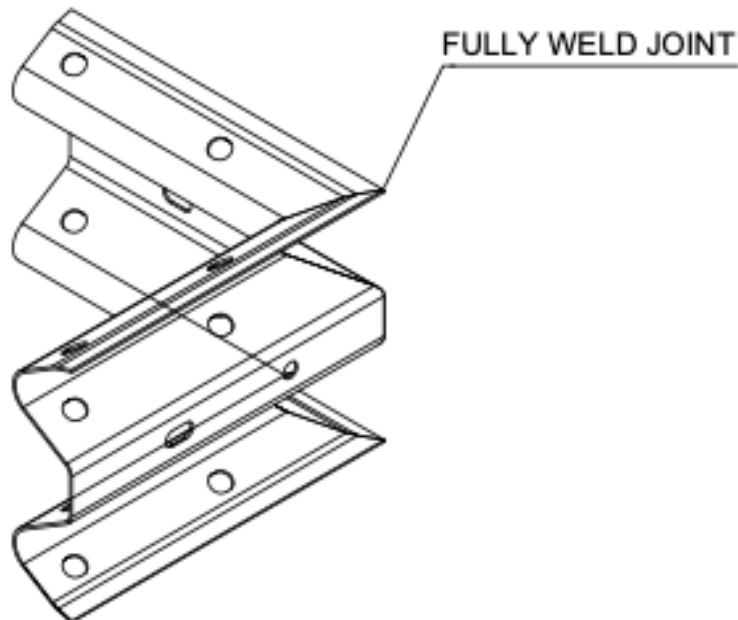


External Corner



PLAN VIEW

Internal Corner



PLAN VIEW